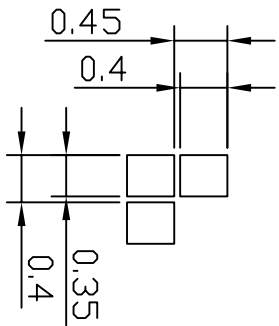
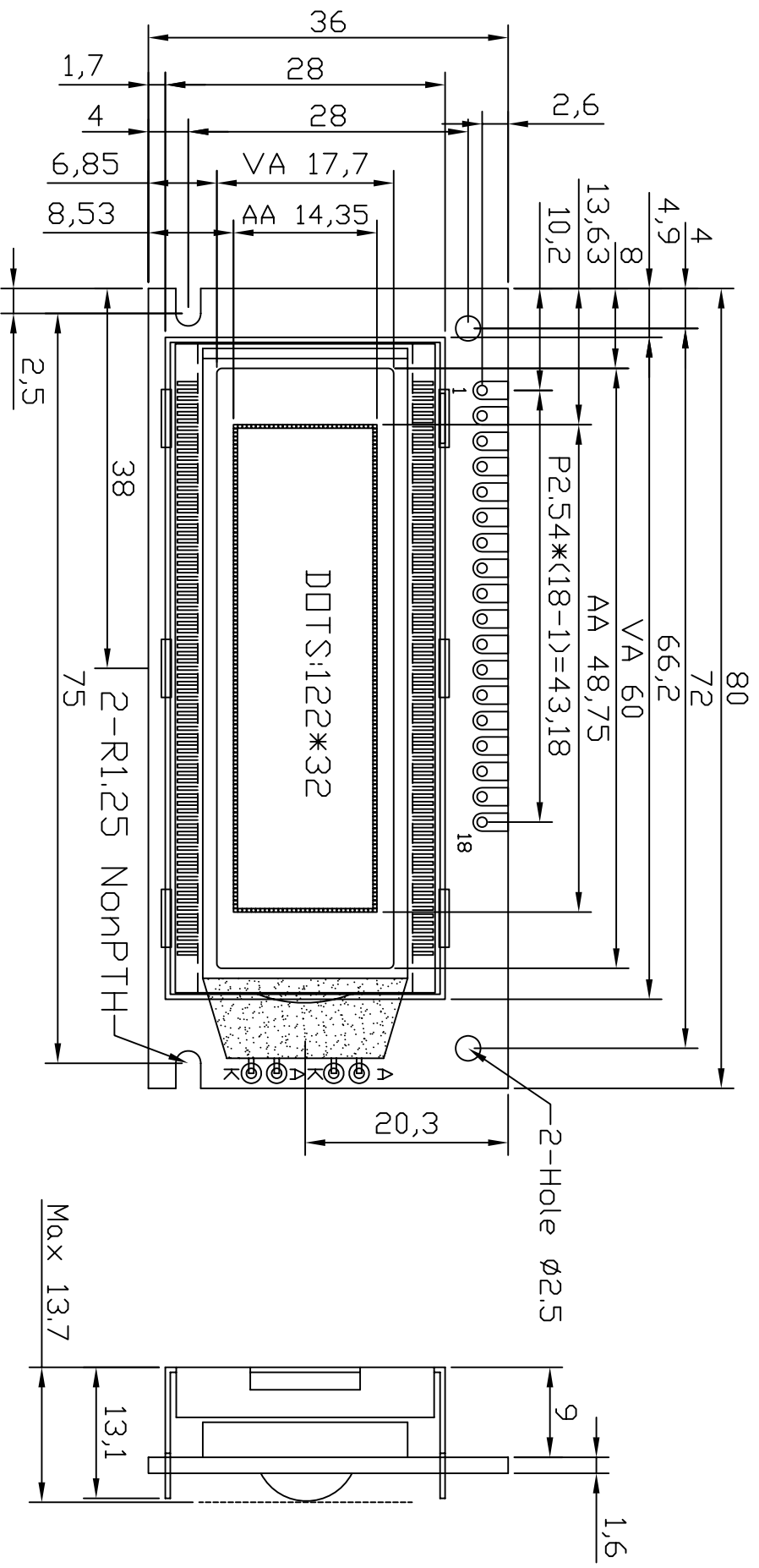


PIN NO.	SYMBOL
1	VSS
2	Vdd
3	Vo
4	A0
5	E1
6	E2
7	RW
8	DB0
9	DB1
10	DB2
11	DB3
12	DB4
13	DB5
14	DB6
15	DB7
16	RES
17	LEDA
18	LEDK



SPECIFICATIONS

STORAGE TEMP : -20°C TO +70°C
 OPERATING TEMP : -10°C TO +60°C
 VIEWING DIRECTION : 6 O'CLOCK
 DRIVE CONDITION : 1/32 DUTY, 1/5 BIAS, VLCD=4.7V
 DISPLAY MODE : STN(y-g), Transflective, Positive, MODE
 DRIVER IC : SBN1661G EQU**
 BACKLIGHT : YELLOW-GREEN color V=3.0V

REV	DESCRIPTION:	DATE
A00	First Issue	2012.09.12
A01	???????	2012.09.13

DESCRIPTION:		C/D 结构图	
SCALE:	FIT		
SHEET:	1 OF 1		
GENERAL TOL:	UNIT		
± 0.20mm			
APPROVALS	DATE		
APP:		MODEL NUMBER :	JBG12232A09-00F
CHK:		PART NO:	
DWN:	WM	2012.09.12 DO NOT SCALE THIS DRAWING PROJECTION	

深圳市兴宇合电子有限公司